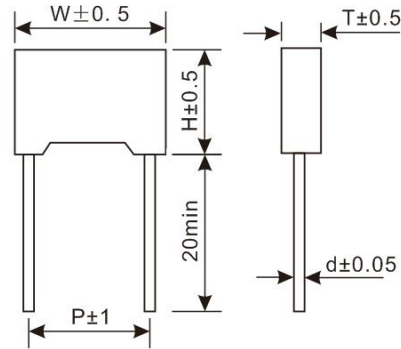
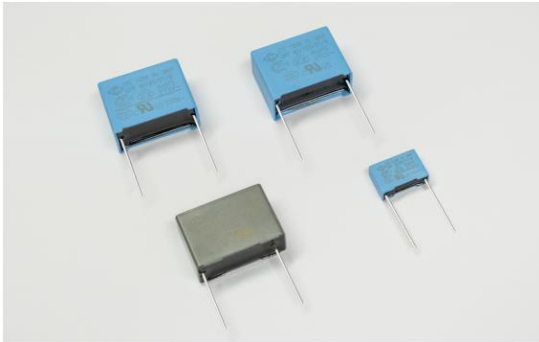


抑制电磁干扰与电源网络连接用电容器

Capacitors For Electromagnetic Interference Suppression And Connection To The Supply Mains



● 产品描述

- 金属化聚丙烯膜无感卷绕而成；
- UL94-V0 阻燃塑壳、阻燃环氧树脂灌封；
- 获得中国、欧美等多国/地区的安全认证；
- 适用于跨接电源线、旁路，也适用于灭弧电路、EMI 滤波器、开关电源、电动工具和其他有抑制干扰要求的电子线路和电子设备中。

● Description of Products

- Metallized polypropylene film wound, non-inductive construction.
- Flame-retardant plastic box (UL94-V0), flame-retardant epoxy resin filled.
- To obtain safety approvals of China and other countries/regions in Europe and America.
- Especially used in applications of across-the-line, line-by-pass. Also suitable for spark killer circuits, EMI filter, switching power supply, power tool and other electronic circuits and electronic equipment with requirements of interference suppression.

名称 Mark	国别 Country		执行标准 Reference standard	证书号 Certificate Number
UL	美国	USA	UL 60384-14	310VAC/250VAC: No. E306193
cUL	加拿大	Canada		
VDE	德国	Germany	EN 60384-14	310VAC: No 40052822
ENEC	欧盟	EU		275VAC: No40019428
CQC	中国	China	GB/T 6346.14-2015	310VAC: CQC 20001255337 250VAC: CQC 06001017324

● 性能指标 Specifications

电容器类别 Class	X2	
额定工作电压 U_R Rated Voltage U_R	310Vac 50/60Hz	275Vac/250Vac 50/60Hz
气候类别/阻燃等级 Climatic Category /Passive Flammability	40/105/21/B	40/85/21/B
容量范围 Capacitance Range	0.001~4.7 μ F	0.001~2.2 μ F
容量偏差 Capacitance Tolerance	K: $\pm 10\%$, M: $\pm 20\%$	K: $\pm 10\%$
端子-端子间电压 Voltage Proof Between Terminals	4.3 U_R DC (1min)	
端子-外壳间电压 Voltage Proof Between Terminals and Case	2120VAC (1min)	
损耗角正切 Dissipation Factor	≤ 0.0020 0.001 μ F $\leq C_R < 0.47\mu$ F (20 $^{\circ}$ C 10kHz)	
	≤ 0.0030 0.47 μ F $\leq C_R \leq 1.0\mu$ F (20 $^{\circ}$ C 10kHz)	
	≤ 0.0020 1.0 μ F $< C_R \leq 4.7\mu$ F (20 $^{\circ}$ C 1kHz)	
绝缘电阻 Insulation Resistance	$\geq 15000M\Omega$ $C_R \leq 0.33\mu$ F (20 $^{\circ}$ C 1min)	
	$\geq 5000M\Omega \cdot \mu$ F $C_R > 0.33\mu$ F	



C4A
CIS Series



产品编码说明 **Part number system**

● 16 位产品代码如下:

The 16 digits part number is formed as follow:

1	2	3	4	5	6	7	8	9	10	11	12	13	14	15	16
C	4	A													

第 1~3 位 Digit 1 to 3

型号代码 Series code

C4A=CIS

第 4~6 位 Digit 4 to 6

额定电压 Rated voltage

举例: $163=10^1 \times 63 \text{ V}=630 \text{ V}$

$216=10^2 \times 16 \text{ V}=1600 \text{ V}$

第 7 位 Digit 7

交流/直流电压 AC/DC

A=AC D=DC

第 8~10 位 Digit 8 to 10

标称容量 Rated capacitance value

举例: $310=10^3 \times 10 \text{ pF}=0.01 \mu\text{F}$

第 11 位 Digit 11

容量偏差 Capacitance tolerance

J=±5%, K=±10%, M=±20%

第 12~16 位 Digit 12 to 16

内部特征码 Internal use



C4A
CIS Series

● 规格尺寸 Dimensions

275VAC						
C _R (μF)	W max	H max	T max	P	d	Part Number
0.001	13	9	4	10	0.6	C4A127A210-4A***
0.0012	13	9	4	10	0.6	C4A127A212-4A***
0.0015	13	11	5	10	0.6	C4A127A215-4A***
0.0018	13	11	5	10	0.6	C4A127A218-4A***
0.0022	13	11	5	10	0.6	C4A127A222-4A***
0.0027	13	11	5	10	0.6	C4A127A227-4A***
0.0033	13	11	5	10	0.6	C4A127A233-4A***
0.0039	13	12	6	10	0.6	C4A127A239-4A***
0.0047	13	12	6	10	0.6	C4A127A247-4A***
0.0056	18	11	5	15	0.6	C4A127A256-6A***
0.0068	18	11	5	15	0.6	C4A127A268-6A***
0.0082	18	11	5	15	0.6	C4A127A282-6A***
0.01	18	11	5	15	0.6	C4A127A310-6A***
0.012	18	11	5	15	0.6	C4A127A312-6A***
0.015	18	11	5	15	0.6	C4A127A315-6A***
0.018	18	11	5	15	0.6	C4A127A318-6A***
0.022	18	11	5	15	0.6	C4A127A322-6A***
0.027	18	11	5	15	0.6	C4A127A327-6A***
0.033	18	11	5	15	0.6	C4A127A333-6A***
0.039	18	11	5	15	0.6	C4A127A339-6A***
0.047	18	11	5	15	0.6	C4A127A347-6A***
0.056	18	12	6	15	0.8	C4A127A356-6A***
0.068	18	12	6	15	0.8	C4A127A368-6A***
0.082	18	12	6	15	0.8	C4A127A382-6A***
0.1	18	11	5	15	0.6	C4A127A410-6A***
0.1	18	12	6	15	0.8	C4A127A410-6B***
0.1	18	13.5	7.5	15	0.8	C4A127A410-6C***
0.12	18	12	6	15	0.8	C4A127A412-6A***
0.12	18	13.5	7.5	15	0.8	C4A127A412-6B***
0.15	18	12	6	15	0.8	C4A127A415-6A***

275VAC						
C _R (μF)	W max	H max	T max	P	d	Part Number
0.15	18	14.5	8.5	15	0.8	C4A127A415-6B***
0.18	18	13.5	7.5	15	0.8	C4A127A418-6A***
0.18	18	14.5	8.5	15	0.8	C4A127A418-6B***
0.22	18	13.5	7.5	15	0.8	C4A127A422-6A***
0.22	18	14.5	8.5	15	0.8	C4A127A422-6B***
0.27	18	14.5	8.5	15	0.8	C4A127A427-6A***
0.33	18	16	10	15	0.8	C4A127A433-6A***
0.39	18	19	11	15	0.8	C4A127A439-6A***
0.47	18	19	11	15	0.8	C4A127A447-6A***
0.22	26.5	16.5	7	22.5	0.8	C4A127A422-9A***
0.27	26.5	17	8.5	22.5	0.8	C4A127A427-9A***
0.33	26.5	17	8.5	22.5	0.8	C4A127A433-9A***
0.39	26.5	19.5	10.5	22.5	0.8	C4A127A439-9A***
0.47	26.5	19.5	10.5	22.5	0.8	C4A127A447-9A***
0.56	26.5	19.5	10.5	22.5	0.8	C4A127A456-9A***
0.47	31.5	18	9	27.5	0.8	C4A127A447-BA***
0.56	31.5	20	11	27.5	0.8	C4A127A456-BA***
0.68	31.5	20	11	27.5	0.8	C4A127A468-BA***
0.82	31.5	20	11	27.5	0.8	C4A127A482-BA***
1	31.5	23.5	14	27.5	0.8	C4A127A510-BA***
1	31.5	25.5	16	27.5	0.8	C4A127A510-BB***
1.2	31.5	22	13	27.5	0.8	C4A127A512-BA***
1.2	31.5	23.5	14	27.5	0.8	C4A127A512-BB***
1.5	31.5	22	13	27.5	0.8	C4A127A515-BA***
1.5	31.5	25.5	16	27.5	0.8	C4A127A515-BB***
1.8	31.5	25.5	16	27.5	0.8	C4A127A518-BA***
1.8	31.5	28	18	27.5	0.8	C4A127A518-BB***
2.2	31.5	25.5	16	27.5	0.8	C4A127A522-BA***
2.2	31.5	28	18	27.5	0.8	C4A127A522-BB***

310VAC						
C _R (μF)	W max	H max	T max	P	d	Part Number
0.001	13	9	4	10	0.6	C4A131A210-4A***
0.0012	13	9	4	10	0.6	C4A131A212-4A***
0.0015	13	11	5	10	0.6	C4A131A215-4A***
0.0018	13	11	5	10	0.6	C4A131A218-4A***
0.0022	13	11	5	10	0.6	C4A131A222-4A***
0.0027	13	11	5	10	0.6	C4A131A227-4A***
0.0033	13	11	5	10	0.6	C4A131A233-4A***
0.0039	13	11	5	10	0.6	C4A131A239-4A***
0.0047	13	11	5	10	0.6	C4A131A247-4A***
0.0056	13	11	5	10	0.6	C4A131A256-4A***
0.0068	13	11	5	10	0.6	C4A131A268-4A***
0.0082	13	11	5	10	0.6	C4A131A282-4A***
0.01	13	11	5	10	0.6	C4A131A310-4A***
0.012	13	11	5	10	0.6	C4A131A312-4A***
0.015	13	11	5	10	0.6	C4A131A315-4A***
0.018	13	11	5	10	0.6	C4A131A318-4A***
0.022	13	11	5	10	0.6	C4A131A322-4A***
0.027	13	11	5	10	0.6	C4A131A327-4A***
0.033	13	11	5	10	0.6	C4A131A333-4A***
0.039	13	11	5	10	0.6	C4A131A339-4A***
0.047	13	11	5	10	0.6	C4A131A347-4A***
0.056	13	11	5	10	0.6	C4A131A356-4A***
0.068	13	12	6	10	0.6	C4A131A368-4A***
0.082	13	12	6	10	0.6	C4A131A382-4A***
0.1	13	12	6	10	0.6	C4A131A410-4A***
0.01	18	11	5	15	0.6	C4A131A310-6A***
0.012	18	11	5	15	0.6	C4A131A312-6A***
0.015	18	11	5	15	0.6	C4A131A315-6A***
0.018	18	11	5	15	0.6	C4A131A318-6A***
0.022	18	11	5	15	0.6	C4A131A322-6A***

310VAC						
C _R (μF)	W max	H max	T max	P	d	Part Number
0.027	18	11	5	15	0.6	C4A131A327-6A***
0.033	18	11	5	15	0.6	C4A131A333-6A***
0.039	18	11	5	15	0.6	C4A131A339-6A***
0.047	18	11	5	15	0.6	C4A131A347-6A***
0.056	18	11	5	15	0.6	C4A131A356-6A***
0.068	18	11	5	15	0.6	C4A131A368-6A***
0.082	18	11	5	15	0.6	C4A131A382-6A***
0.1	18	11	5	15	0.6	C4A131A410-6A***
0.1	18	12	6	15	0.8	C4A131A410-6B***
0.1	18	13.5	7.5	15	0.8	C4A131A410-6C***
0.12	18	11	5	15	0.6	C4A131A412-6A***
0.12	18	12	6	15	0.8	C4A131A412-6B***
0.12	18	13.5	7.5	15	0.8	C4A131A412-6C***
0.15	18	12	6	15	0.8	C4A131A415-6A***
0.15	18	13.5	7.5	15	0.8	C4A131A415-6B***
0.18	18	12	6	15	0.8	C4A131A418-6A***
0.18	18	13.5	7.5	15	0.8	C4A131A418-6B***
0.18	18	14.5	8.5	15	0.8	C4A131A418-6C***
0.22	18	13.5	7.5	15	0.8	C4A131A422-6A***
0.22	18	14.5	8.5	15	0.8	C4A131A422-6B***
0.27	18	13.5	7.5	15	0.8	C4A131A427-6A***
0.27	18	14.5	8.5	15	0.8	C4A131A427-6B***
0.33	18	14.5	8.5	15	0.8	C4A131A433-6A***
0.33	18	16	10	15	0.8	C4A131A433-6B***
0.39	18	14.5	8.5	15	0.8	C4A131A439-6A***
0.39	18	16	10	15	0.8	C4A131A439-6B***
0.47	18	16	10	15	0.8	C4A131A447-6A***
0.47	18	19	11	15	0.8	C4A131A447-6B***
0.56	18	19	11	15	0.8	C4A131A456-6A***



C4A
CIS Series

● 规格尺寸 Dimensions

310VAC						
C _R (μF)	W max	H max	T max	P	d	Part Number
0.22	26.5	16.5	7	22.5	0.8	C4A131A422-9A***
0.27	26.5	16.5	7	22.5	0.8	C4A131A427-9A***
0.33	26.5	16.5	7	22.5	0.8	C4A131A433-9A***
0.33	26.5	17	8.5	22.5	0.8	C4A131A433-9B***
0.39	26.5	16.5	7	22.5	0.8	C4A131A439-9A***
0.39	26.5	17	8.5	22.5	0.8	C4A131A439-9B***
0.47	26.5	16.5	7	22.5	0.8	C4A131A447-9A***
0.47	26.5	19.5	10.5	22.5	0.8	C4A131A447-9B***
0.56	26.5	17	8.5	22.5	0.8	C4A131A456-9A***
0.56	26.5	19.5	10.5	22.5	0.8	C4A131A456-9B***
0.68	26.5	17	8.5	22.5	0.8	C4A131A468-9A***
0.68	26.5	19.5	10.5	22.5	0.8	C4A131A468-9B***
0.82	26.5	19.5	10.5	22.5	0.8	C4A131A482-9A***
0.82	26.5	22	12	22.5	0.8	C4A131A482-9B***
1	26.5	19.5	10.5	22.5	0.8	C4A131A510-9A***
1.2	26.5	22	12	22.5	0.8	C4A131A512-9A***
0.47	31.5	18	9	27.5	0.8	C4A131A447-BA***
0.56	31.5	18	9	27.5	0.8	C4A131A456-BA***
0.56	31.5	20	11	27.5	0.8	C4A131A456-BB***

310VAC						
C _R (μF)	W max	H max	T max	P	d	Part Number
0.68	31.5	18	9	27.5	0.8	C4A131A468-BA***
0.68	31.5	20	11	27.5	0.8	C4A131A468-BB***
0.82	31.5	18	9	27.5	0.8	C4A131A482-BA***
0.82	31.5	20	11	27.5	0.8	C4A131A482-BB***
1	31.5	18	9	27.5	0.8	C4A131A510-BA***
1	31.5	23.5	14	27.5	0.8	C4A131A510-BB***
1.2	31.5	20	11	27.5	0.8	C4A131A512-BA***
1.2	31.5	22	13	27.5	0.8	C4A131A512-BB***
1.5	31.5	20	11	27.5	0.8	C4A131A515-BA***
1.5	31.5	22	13	27.5	0.8	C4A131A515-BB***
1.8	31.5	22	13	27.5	0.8	C4A131A518-BA***
1.8	31.5	25.5	16	27.5	0.8	C4A131A518-BB***
2.2	31.5	23.5	14	27.5	0.8	C4A131A522-BA***
2.2	31.5	25.5	16	27.5	0.8	C4A131A522-BB***
2.7	31.5	25.5	16	27.5	0.8	C4A131A527-BA***
2.7	31.5	30	18	27.5	0.8	C4A131A527-BB***
3.3	31.5	30	18	27.5	0.8	C4A131A533-BA***
3.9	31.5	30	18	27.5	0.8	C4A131A539-BA***
4.7	31.5	33	18	27.5	0.8	C4A131A547-BA***