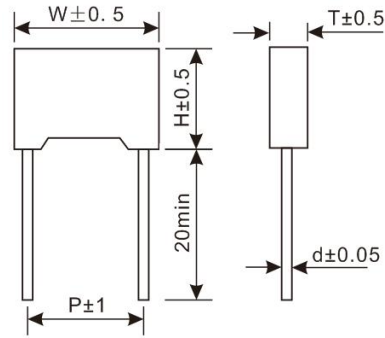
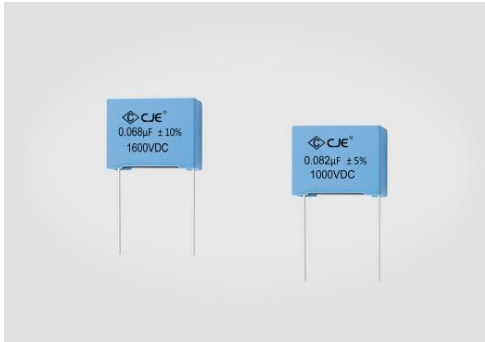




C80
CBB80 Series

高压双面金属化聚丙烯膜电容器

High-Voltage Double Sided Metallized Polypropylene Film Capacitors



● 产品描述

- 双面金属化膜内串无感式结构;
- 用高性能阻燃环氧树脂封装于 UL94-V0 阻燃塑壳中;
- 高频损耗极小, 内部温升小, 绝缘电阻高, 能承受高电压与高脉冲电流, 具有良好的自愈特性;
- 应用于高频高压脉冲电路、电视机及显示器中的行回扫逆程、电子照明(镇流器、节能灯、汽车头灯)、吸收和 SCR 整流器、开关电源等。

● Description of Products

- Double side metallized film, internal series connection, non-inductive construction.
- Flame-retardant plastic box(UL94-V0), flame-retardant epoxy resin filled.
- Very small dissipation factor at high-frequency and high insulation resistance, small internal temperature rise, withstanding high voltage and high pulse current, having excellent self-healing property.
- Suitable for high-frequency and high-voltage pulse circuits, TV and monitor as line scanning back stroke, also suitable for electronic lighting(ballasts, energy-saving lamps, car headlights), SCR rectifiers, switching power supplies, and etc.

● 性能指标 Specifications

引用标准 Reference Standard	GB/T 14579					
气候类别 Climatic Category	40/105/56					
工作温度 Operating Temperature	-40℃~+105℃ (85~+105℃: decreasing factor 1.25% per °C for U _R)					
额定电压 Rated Voltage	250V、400V、630V、1000V、1600V、2000V(DC)					
容量范围 Capacitance Range	0.00022~3.9µF					
容量偏差 Capacitance Tolerance	J : ±5% K : ±10%					
耐电压 Voltage Proof	1.6U _R (5s)					
损耗角正切 Dissipation Factor	≤0.0010 (20℃, 1kHz)					
绝缘电阻 Insulation Resistance	R≥30000MΩ, C _R ≤0.33µF (20℃, 100V, 1min) RC _R ≥10000MΩ·µF, C _R >0.33µF					
最大脉冲爬升速率 Max Pulse Rise Time(dV/dt)	U _R (V)	dV/dt(V/µs)				
		P=7.5	P=10	P=15	P=22.5	P=27.5
	250	1000	900	500	220	180
	400	1600	1300	800	450	250
	630	2800	2800	2200	1300	800
	1000	5400	5400	2900	1800	900
1600	—	—	5400	2700	1800	
2000	—	—	9000	4500	1900	



C80
CBB80 Series



产品编码说明 **Part number system**

● 16 位产品代码如下：

The 16 digits part number is formed as follow:

1	2	3	4	5	6	7	8	9	10	11	12	13	14	15	16
C	8	0													

第 1~3 位 Digit 1 to 3

型号代码 Series code

C80=CBB80

第 4~6 位 Digit 4 to 6

额定电压 Rated voltage

举例：163=10¹×63 V=630 V

216=10²×16 V=1600 V

第 7 位 Digit 7

交流/直流电压 AC/DC

A=AC D=DC

第 8~10 位 Digit 8 to 10

标称容量 Rated capacitance value

举例：310=10³×10 pF=0.01μF

第 11 位 Digit 11

容量偏差 Capacitance tolerance

H=±3%，J=±5%，K=±10%

第 12~16 位 Digit 12 to 16

内部特征码 Internal use



C80
CBB80 Series

● 规格尺寸 Dimensions

250VDC						
C _R (μF)	W	H	T	P	d	Part Number
0.0068	10.5	9	4	7.5	0.6	C80125D268-3****
0.0082	10.5	9	4	7.5	0.6	C80125D282-3****
0.01	10.5	9	4	7.5	0.6	C80125D310-3****
0.012	10.5	9	4	7.5	0.6	C80125D312-3****
0.015	10.5	9	4	7.5	0.6	C80125D315-3****
0.018	10.5	9	4	7.5	0.6	C80125D318-3****
0.022	10.5	9	4	7.5	0.6	C80125D322-3****
0.027	10.5	11	5	7.5	0.6	C80125D327-3****
0.033	10.5	11	5	7.5	0.6	C80125D333-3****
0.039	10.5	12	6	7.5	0.6	C80125D339-3****
0.047	10.5	12	6	7.5	0.6	C80125D347-3****
0.027	13	9	4	10	0.6	C80125D327-4****
0.033	13	9	4	10	0.6	C80125D333-4****
0.039	13	9	4	10	0.6	C80125D339-4****
0.047	13	11	5	10	0.6	C80125D347-4****
0.056	13	11	5	10	0.6	C80125D356-4****
0.068	13	12	6	10	0.6	C80125D368-4****
0.082	13	12	6	10	0.6	C80125D382-4****
0.068	18	11	5	15	0.6	C80125D368-6****
0.082	18	11	5	15	0.6	C80125D382-6****
0.1	18	11	5	15	0.6	C80125D410-6****
0.12	18	12	6	15	0.8	C80125D412-6****
0.15	18	12	6	15	0.8	C80125D415-6****

250VDC						
C _R (μF)	W	H	T	P	d	Part Number
0.18	18	13.5	7.5	15	0.8	C80125D418-6****
0.22	18	13.5	7.5	15	0.8	C80125D422-6****
0.27	18	14.5	8.5	15	0.8	C80125D427-6****
0.33	18	16	10	15	0.8	C80125D433-6****
0.39	18	16	10	15	0.8	C80125D439-6****
0.22	26.5	15	6	22.5	0.8	C80125D422-9****
0.27	26.5	15	6	22.5	0.8	C80125D427-9****
0.33	26.5	15	6	22.5	0.8	C80125D433-9****
0.39	26.5	16.5	7	22.5	0.8	C80125D439-9****
0.47	26.5	16.5	7	22.5	0.8	C80125D447-9****
0.56	26.5	17	8.5	22.5	0.8	C80125D456-9****
0.68	26.5	19.5	10.5	22.5	0.8	C80125D468-9****
0.82	26.5	19.5	10.5	22.5	0.8	C80125D482-9****
1	26.5	22	12	22.5	0.8	C80125D510-9****
0.82	31.5	18	9	27.5	0.8	C80125D482-B****
1	31.5	20	11	27.5	0.8	C80125D510-B****
1.2	31.5	20	11	27.5	0.8	C80125D512-B****
1.5	31.5	22	13	27.5	0.8	C80125D515-B****
1.8	31.5	23.5	14	27.5	0.8	C80125D518-B****
2.2	31.5	23.5	14	27.5	0.8	C80125D522-B****
2.7	31.5	33	18	27.5	0.8	C80125D527-B****
3.3	31.5	33	18	27.5	0.8	C80125D533-B****
3.9	31.5	33	18	27.5	0.8	C80125D539-B****



C80
CBB80 Series



● 规格尺寸 Dimensions

400VDC						
C _R (μF)	W	H	T	P	d	Part Number
0.0027	10.5	9	4	7.5	0.6	C80140D227-3****
0.0033	10.5	9	4	7.5	0.6	C80140D233-3****
0.0039	10.5	9	4	7.5	0.6	C80140D239-3****
0.0047	10.5	9	4	7.5	0.6	C80140D247-3****
0.0056	10.5	9	4	7.5	0.6	C80140D256-3****
0.0068	10.5	9	4	7.5	0.6	C80140D268-3****
0.0082	10.5	9	4	7.5	0.6	C80140D282-3****
0.01	10.5	9	4	7.5	0.6	C80140D310-3****
0.012	10.5	9	4	7.5	0.6	C80140D312-3****
0.015	10.5	11	5	7.5	0.6	C80140D315-3****
0.018	10.5	11	5	7.5	0.6	C80140D318-3****
0.022	10.5	12	6	7.5	0.6	C80140D322-3****
0.027	10.5	12	6	7.5	0.6	C80140D327-3****
0.01	13	9	4	10	0.6	C80140D310-4****
0.012	13	9	4	10	0.6	C80140D312-4****
0.015	13	9	4	10	0.6	C80140D315-4****
0.018	13	9	4	10	0.6	C80140D318-4****
0.022	13	9	4	10	0.6	C80140D322-4****
0.027	13	11	5	10	0.6	C80140D327-4****
0.033	13	11	5	10	0.6	C80140D333-4****
0.039	13	12	6	10	0.6	C80140D339-4****
0.047	13	12	6	10	0.6	C80140D347-4****
0.033	18	11	5	15	0.6	C80140D333-6****
0.039	18	11	5	15	0.6	C80140D339-6****
0.047	18	11	5	15	0.6	C80140D347-6****
0.056	18	11	5	15	0.6	C80140D356-6****
0.068	18	12	6	15	0.8	C80140D368-6****

400VDC						
C _R (μF)	W	H	T	P	d	Part Number
0.082	18	12	6	15	0.8	C80140D382-6****
0.1	18	13.5	7.5	15	0.8	C80140D410-6****
0.12	18	13.5	7.5	15	0.8	C80140D412-6****
0.15	18	14.5	8.5	15	0.8	C80140D415-6****
0.18	18	16	10	15	0.8	C80140D418-6****
0.22	18	16	10	15	0.8	C80140D422-6****
0.27	18	19	11	15	0.8	C80140D427-6****
0.12	26.5	15	6	22.5	0.8	C80140D412-9****
0.15	26.5	15	6	22.5	0.8	C80140D415-9****
0.18	26.5	15	6	22.5	0.8	C80140D418-9****
0.22	26.5	16.5	7	22.5	0.8	C80140D422-9****
0.27	26.5	17	8.5	22.5	0.8	C80140D427-9****
0.33	26.5	17	8.5	22.5	0.8	C80140D433-9****
0.39	26.5	19.5	10.5	22.5	0.8	C80140D439-9****
0.47	26.5	19.5	10.5	22.5	0.8	C80140D447-9****
0.56	26.5	22	12	22.5	0.8	C80140D456-9****
0.68	26.5	22	12	22.5	0.8	C80140D468-9****
0.39	31.5	18	9	27.5	0.8	C80140D439-B****
0.47	31.5	18	9	27.5	0.8	C80140D447-B****
0.56	31.5	20	11	27.5	0.8	C80140D456-B****
0.68	31.5	20	11	27.5	0.8	C80140D468-B****
0.82	31.5	22	13	27.5	0.8	C80140D482-B****
1	31.5	23.5	14	27.5	0.8	C80140D510-B****
1.2	31.5	23.5	14	27.5	0.8	C80140D512-B****
1.5	31.5	33	18	27.5	0.8	C80140D515-B****
1.8	31.5	33	18	27.5	0.8	C80140D518-B****



C80
CBB80 Series

● 规格尺寸 Dimensions

630VDC						
C _R (μF)	W	H	T	P	d	Part Number
0.00068	10.5	9	4	7.5	0.6	C80163D168-3****
0.00082	10.5	9	4	7.5	0.6	C80163D182-3****
0.001	10.5	9	4	7.5	0.6	C80163D210-3****
0.0012	10.5	9	4	7.5	0.6	C80163D212-3****
0.0015	10.5	9	4	7.5	0.6	C80163D215-3****
0.0018	10.5	9	4	7.5	0.6	C80163D218-3****
0.0022	10.5	9	4	7.5	0.6	C80163D222-3****
0.0027	10.5	9	4	7.5	0.6	C80163D227-3****
0.0033	10.5	9	4	7.5	0.6	C80163D233-3****
0.0039	10.5	9	4	7.5	0.6	C80163D239-3****
0.0047	10.5	9	4	7.5	0.6	C80163D247-3****
0.0056	10.5	9	4	7.5	0.6	C80163D256-3****
0.0068	10.5	11	5	7.5	0.6	C80163D268-3****
0.0082	10.5	11	5	7.5	0.6	C80163D282-3****
0.01	10.5	12	6	7.5	0.6	C80163D310-3****
0.012	10.5	12	6	7.5	0.6	C80163D312-3****
0.0039	13	9	4	10	0.6	C80163D239-4****
0.0047	13	9	4	10	0.6	C80163D247-4****
0.0056	13	9	4	10	0.6	C80163D256-4****
0.0068	13	9	4	10	0.6	C80163D268-4****
0.0082	13	9	4	10	0.6	C80163D282-4****
0.01	13	11	5	10	0.6	C80163D310-4****
0.012	13	11	5	10	0.6	C80163D312-4****
0.015	13	12	6	10	0.6	C80163D315-4****
0.018	13	12	6	10	0.6	C80163D318-4****
0.01	18	11	5	15	0.6	C80163D310-6****
0.012	18	11	5	15	0.6	C80163D312-6****
0.015	18	11	5	15	0.6	C80163D315-6****
0.018	18	11	5	15	0.6	C80163D318-6****
0.022	18	11	5	15	0.6	C80163D322-6****
0.027	18	11	5	15	0.6	C80163D327-6****

630VDC						
C _R (μF)	W	H	T	P	d	Part Number
0.033	18	12	6	15	0.8	C80163D333-6****
0.039	18	12	6	15	0.8	C80163D339-6****
0.047	18	12	6	15	0.8	C80163D347-6****
0.056	18	13.5	7.5	15	0.8	C80163D356-6****
0.068	18	14.5	8.5	15	0.8	C80163D368-6****
0.082	18	14.5	8.5	15	0.8	C80163D382-6****
0.1	18	16	10	15	0.8	C80163D410-6****
0.12	18	19	11	15	0.8	C80163D412-6****
0.047	26.5	15	6	22.5	0.8	C80163D347-9****
0.056	26.5	15	6	22.5	0.8	C80163D356-9****
0.068	26.5	15	6	22.5	0.8	C80163D368-9****
0.082	26.5	15	6	22.5	0.8	C80163D382-9****
0.1	26.5	15	6	22.5	0.8	C80163D410-9****
0.12	26.5	16.5	7	22.5	0.8	C80163D412-9****
0.15	26.5	17	8.5	22.5	0.8	C80163D415-9****
0.18	26.5	17	8.5	22.5	0.8	C80163D418-9****
0.22	26.5	19.5	10.5	22.5	0.8	C80163D422-9****
0.27	26.5	22	12	22.5	0.8	C80163D427-9****
0.33	26.5	22	12	22.5	0.8	C80163D433-9****
0.39	26.5	22	12	22.5	0.8	C80163D439-9****
0.15	31.5	18	9	27.5	0.8	C80163D415-B****
0.18	31.5	18	9	27.5	0.8	C80163D418-B****
0.22	31.5	18	9	27.5	0.8	C80163D422-B****
0.27	31.5	18	9	27.5	0.8	C80163D427-B****
0.33	31.5	20	11	27.5	0.8	C80163D433-B****
0.39	31.5	20	11	27.5	0.8	C80163D439-B****
0.47	31.5	22	13	27.5	0.8	C80163D447-B****
0.56	31.5	22	13	27.5	0.8	C80163D456-B****
0.68	31.5	23.5	14	27.5	0.8	C80163D468-B****
0.82	31.5	28	14	27.5	0.8	C80163D482-B****
1	31.5	33	18	27.5	0.8	C80163D510-B****
1.2	31.5	33	18	27.5	0.8	C80163D512-B****



C80
CBB80 Series



● 规格尺寸 Dimensions

1000VDC						
C _R (μF)	W	H	T	P	d	Part Number
0.00047	10.5	9	4	7.5	0.6	C80210D147-3****
0.00056	10.5	9	4	7.5	0.6	C80210D156-3****
0.00068	10.5	9	4	7.5	0.6	C80210D168-3****
0.00082	10.5	9	4	7.5	0.6	C80210D182-3****
0.001	10.5	9	4	7.5	0.6	C80210D210-3****
0.0012	10.5	11	5	7.5	0.6	C80210D212-3****
0.0015	10.5	11	5	7.5	0.6	C80210D215-3****
0.0018	10.5	11	5	7.5	0.6	C80210D218-3****
0.0022	10.5	11	5	7.5	0.6	C80210D222-3****
0.0027	10.5	12	6	7.5	0.6	C80210D227-3****
0.0033	10.5	12	6	7.5	0.6	C80210D233-3****
0.001	13	9	4	10	0.6	C80210D210-4****
0.0012	13	9	4	10	0.6	C80210D212-4****
0.0015	13	9	4	10	0.6	C80210D215-4****
0.0018	13	9	4	10	0.6	C80210D218-4****
0.0022	13	9	4	10	0.6	C80210D222-4****
0.0027	13	9	4	10	0.6	C80210D227-4****
0.0033	13	9	4	10	0.6	C80210D233-4****
0.0039	13	11	5	10	0.6	C80210D239-4****
0.0047	13	11	5	10	0.6	C80210D247-4****
0.0056	13	12	6	10	0.6	C80210D256-4****
0.0068	13	12	6	10	0.6	C80210D268-4****
0.0082	18	11	5	15	0.6	C80210D282-6****
0.01	18	11	5	15	0.6	C80210D310-6****
0.012	18	11	5	15	0.6	C80210D312-6****
0.015	18	11	5	15	0.6	C80210D315-6****

1000VDC						
C _R (μF)	W	H	T	P	d	Part Number
0.018	18	13.5	7.5	15	0.8	C80210D318-6****
0.022	18	13.5	7.5	15	0.8	C80210D322-6****
0.027	18	14.5	8.5	15	0.8	C80210D327-6****
0.033	18	14.5	8.5	15	0.8	C80210D333-6****
0.039	18	16	10	15	0.8	C80210D339-6****
0.047	18	19	11	15	0.8	C80210D347-6****
0.027	26.5	15	6	22.5	0.8	C80210D327-9****
0.033	26.5	15	6	22.5	0.8	C80210D333-9****
0.039	26.5	15	6	22.5	0.8	C80210D339-9****
0.047	26.5	16.5	7	22.5	0.8	C80210D347-9****
0.056	26.5	16.5	7	22.5	0.8	C80210D356-9****
0.068	26.5	17	8.5	22.5	0.8	C80210D368-9****
0.082	26.5	19.5	10.5	22.5	0.8	C80210D382-9****
0.1	26.5	19.5	10.5	22.5	0.8	C80210D410-9****
0.12	26.5	22	12	22.5	0.8	C80210D412-9****
0.15	26.5	22	12	22.5	0.8	C80210D415-9****
0.1	31.5	18	9	27.5	0.8	C80210D410-B****
0.12	31.5	20	11	27.5	0.8	C80210D412-B****
0.15	31.5	20	11	27.5	0.8	C80210D415-B****
0.18	31.5	22	13	27.5	0.8	C80210D418-B****
0.22	31.5	22	13	27.5	0.8	C80210D422-B****
0.27	31.5	23.5	14	27.5	0.8	C80210D427-B****
0.33	31.5	28	14	27.5	0.8	C80210D433-B****
0.39	31.5	33	18	27.5	0.8	C80210D439-B****
0.47	31.5	33	18	27.5	0.8	C80210D447-B****



C80
CBB80 Series

● 规格尺寸 Dimensions

1600VDC						
C _R (μF)	W	H	T	P	d	Part Number
0.00068	18	11	5	15	0.6	C80216D168-6****
0.00082	18	11	5	15	0.6	C80216D182-6****
0.001	18	11	5	15	0.6	C80216D210-6****
0.0012	18	11	5	15	0.6	C80216D212-6****
0.0015	18	11	5	15	0.6	C80216D215-6****
0.0018	18	11	5	15	0.6	C80216D218-6****
0.0022	18	11	5	15	0.6	C80216D222-6****
0.0027	18	11	5	15	0.6	C80216D227-6****
0.0033	18	11	5	15	0.6	C80216D233-6****
0.0039	18	11	5	15	0.6	C80216D239-6****
0.0047	18	11	5	15	0.6	C80216D247-6****
0.0056	18	11	5	15	0.6	C80216D256-6****
0.0068	18	11	5	15	0.6	C80216D268-6****
0.0082	18	12	6	15	0.8	C80216D282-6****
0.01	18	12	6	15	0.8	C80216D310-6****
0.012	18	13.5	7.5	15	0.8	C80216D312-6****
0.015	18	13.5	7.5	15	0.8	C80216D315-6****
0.018	18	14.5	8.5	15	0.8	C80216D318-6****
0.022	18	14.5	8.5	15	0.8	C80216D322-6****
0.027	18	16	10	15	0.8	C80216D327-6****
0.033	18	19	11	15	0.8	C80216D333-6****

1600VDC						
C _R (μF)	W	H	T	P	d	Part Number
0.015	26.5	15	6	22.5	0.8	C80216D315-9****
0.018	26.5	15	6	22.5	0.8	C80216D318-9****
0.022	26.5	15	6	22.5	0.8	C80216D322-9****
0.027	26.5	15	6	22.5	0.8	C80216D327-9****
0.033	26.5	16.5	7	22.5	0.8	C80216D333-9****
0.039	26.5	17	8.5	22.5	0.8	C80216D339-9****
0.047	26.5	19.5	10.5	22.5	0.8	C80216D347-9****
0.056	26.5	19.5	10.5	22.5	0.8	C80216D356-9****
0.068	26.5	22	12	22.5	0.8	C80216D368-9****
0.082	26.5	22	12	22.5	0.8	C80216D382-9****
0.039	31.5	18	9	27.5	0.8	C80216D339-B****
0.047	31.5	18	9	27.5	0.8	C80216D347-B****
0.056	31.5	18	9	27.5	0.8	C80216D356-B****
0.068	31.5	18	9	27.5	0.8	C80216D368-B****
0.082	31.5	20	11	27.5	0.8	C80216D382-B****
0.1	31.5	20	11	27.5	0.8	C80216D410-B****
0.12	31.5	22	13	27.5	0.8	C80216D412-B****
0.15	31.5	23.5	14	27.5	0.8	C80216D415-B****
0.18	31.5	23.5	14	27.5	0.8	C80216D418-B****
0.22	31.5	28	14	27.5	0.8	C80216D422-B****
0.27	31.5	33	18	27.5	0.8	C80216D427-B****
0.33	31.5	33	18	27.5	0.8	C80216D433-B****



C80
CBB80 Series



● 规格尺寸 Dimensions

2000VDC						
C _R (μF)	W	H	T	P	d	Part Number
0.00022	18	11	5	15	0.6	C80220D122-6****
0.00027	18	11	5	15	0.6	C80220D127-6****
0.00033	18	11	5	15	0.6	C80220D133-6****
0.00039	18	11	5	15	0.6	C80220D139-6****
0.00047	18	11	5	15	0.6	C80220D147-6****
0.00056	18	11	5	15	0.6	C80220D156-6****
0.00068	18	11	5	15	0.6	C80220D168-6****
0.00082	18	11	5	15	0.6	C80220D182-6****
0.001	18	11	5	15	0.6	C80220D210-6****
0.0012	18	11	5	15	0.6	C80220D212-6****
0.0015	18	11	5	15	0.6	C80220D215-6****
0.0018	18	11	5	15	0.6	C80220D218-6****
0.0022	18	11	5	15	0.6	C80220D222-6****
0.0027	18	11	5	15	0.6	C80220D227-6****
0.0033	18	12	6	15	0.8	C80220D233-6****
0.0039	18	12	6	15	0.8	C80220D239-6****
0.0047	18	12	6	15	0.8	C80220D247-6****
0.0056	18	13.5	7.5	15	0.8	C80220D256-6****
0.0068	18	13.5	7.5	15	0.8	C80220D268-6****
0.0082	18	14.5	8.5	15	0.8	C80220D282-6****
0.01	18	16	10	15	0.8	C80220D310-6****
0.012	18	16	10	15	0.8	C80220D312-6****
0.015	18	19	11	15	0.8	C80220D315-6****
0.001	26.5	15	6	22.5	0.8	C80220D210-9****
0.0012	26.5	15	6	22.5	0.8	C80220D212-9****
0.0015	26.5	15	6	22.5	0.8	C80220D215-9****
0.0018	26.5	15	6	22.5	0.8	C80220D218-9****
0.0022	26.5	15	6	22.5	0.8	C80220D222-9****

2000VDC						
C _R (μF)	W	H	T	P	d	Part Number
0.0027	26.5	15	6	22.5	0.8	C80220D227-9****
0.0033	26.5	15	6	22.5	0.8	C80220D233-9****
0.0039	26.5	15	6	22.5	0.8	C80220D239-9****
0.0047	26.5	15	6	22.5	0.8	C80220D247-9****
0.0056	26.5	15	6	22.5	0.8	C80220D256-9****
0.0068	26.5	15	6	22.5	0.8	C80220D268-9****
0.0082	26.5	15	6	22.5	0.8	C80220D282-9****
0.01	26.5	15	6	22.5	0.8	C80220D310-9****
0.012	26.5	15	6	22.5	0.8	C80220D312-9****
0.015	26.5	16.5	7	22.5	0.8	C80220D315-9****
0.018	26.5	16.5	7	22.5	0.8	C80220D318-9****
0.022	26.5	17	8.5	22.5	0.8	C80220D322-9****
0.027	26.5	19.5	10.5	22.5	0.8	C80220D327-9****
0.033	26.5	19.5	10.5	22.5	0.8	C80220D333-9****
0.039	26.5	22	12	22.5	0.8	C80220D339-9****
0.047	26.5	22	12	22.5	0.8	C80220D347-9****
0.022	31.5	18	9	27.5	0.8	C80220D322-B****
0.027	31.5	18	9	27.5	0.8	C80220D327-B****
0.033	31.5	18	9	27.5	0.8	C80220D333-B****
0.039	31.5	20	11	27.5	0.8	C80220D339-B****
0.047	31.5	20	11	27.5	0.8	C80220D347-B****
0.056	31.5	22	13	27.5	0.8	C80220D356-B****
0.068	31.5	22	13	27.5	0.8	C80220D368-B****
0.082	31.5	23.5	14	27.5	0.8	C80220D382-B****
0.1	31.5	28	14	27.5	0.8	C80220D410-B****
0.12	31.5	33	18	27.5	0.8	C80220D412-B****
0.15	31.5	33	18	27.5	0.8	C80220D415-B****